

JK3000SF

GE® 27" Built-In Single Wall Oven

Dimensions and Installation Information (in inches)

Note: These ovens are not approved for stackable or side-by-side installations.

Note: These ovens can be installed side-by-side with no less than 30" distance between center-to-center of each oven.

Note: Cabinets installed adjacent to wall ovens must have an adhesion spec of at least a 194°F temperature rating.

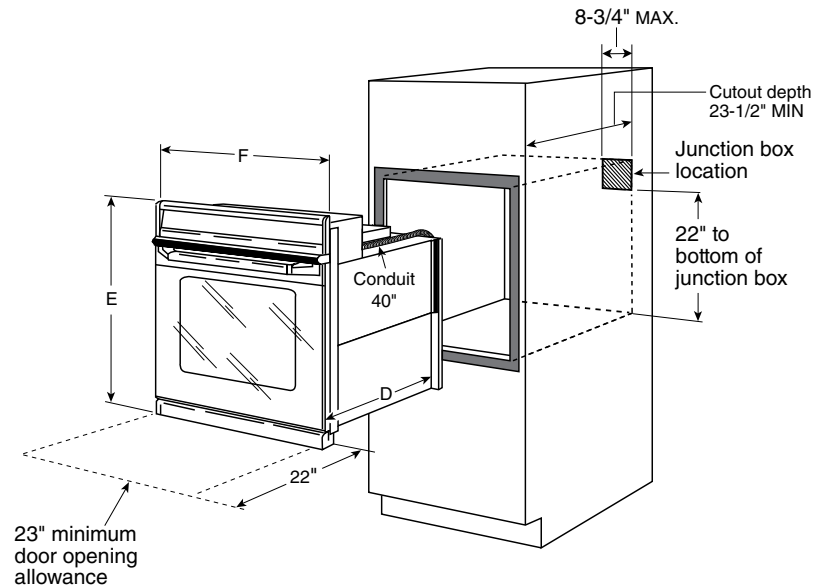
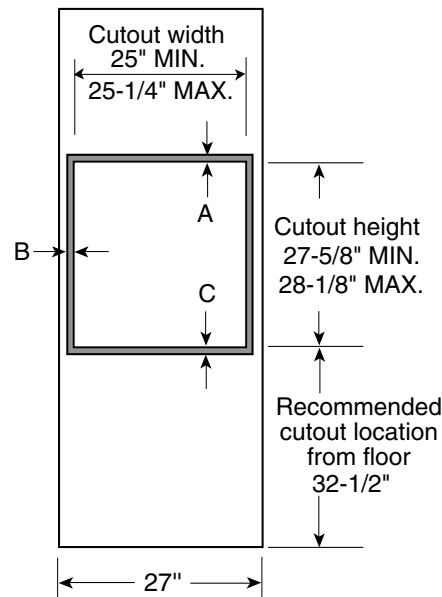
Note: For 27" built-in single ovens, if marks, blemishes or the cutout opening is visible above the installed oven, it may be necessary to add wood shims under the runners and front trim until the marks or openings are covered.

Note: Door handle protrudes 3" from door face. Cabinets and drawers on adjacent 45° and 90° walls should be placed to avoid interference with the handle.

Electric wall ovens are not approved for installation with a plug and receptacle. They must be hard wired in accordance with installation instructions.

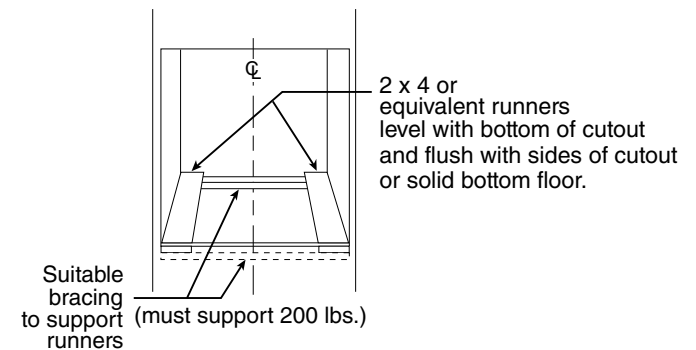
Installation Information: Before installing, consult installation instructions packed with product for current dimensional data.

| KW Rating | |
|--------------|---------|
| 240V | 3.6 |
| 208V | 2.7 |
| Breaker Size | |
| 240V | 20 Amps |
| 208V | 20 Amps |



JK3000

| Cabinet | 27" |
|--|-----------|
| A – Overlap of oven at top of cutout | 1" |
| B – Overlap of oven over side of edges of cutout | 1" |
| C – Overlap of oven at bottom of cutout | 1" |
| Oven | |
| D – Overall depth with handle | 26-23/32" |
| Overall depth with handle without handle | 23-5/8" |
| E – Overall height with trim | 30-3/16" |
| F – Overall width | 26-23/32" |



imagination at work

For answers to your Monogram® or GE appliance questions, visit our website at geappliances.com or call GE Answer Center® service, 800.626.2000.



*ADA qualified based on Uniform Federal Accessibility Standards



Listed by Underwriters Laboratories



Specification Revised 10/13

320449

JK3000SF

GE® 27" Built-In Single Wall Oven

Undercounter Dimensions and Installation Information

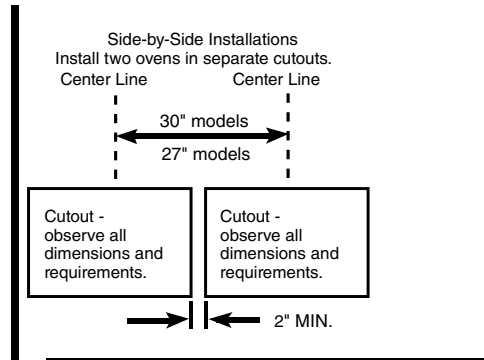
Note: 36" ribbon cooktops are approved for use over GE 30" single wall ovens and warming drawers. 30" ribbon cooktops are approved for use over GE 30" and GE 27" single wall ovens and warming drawers. Refer to cooktop and wall oven installation information packed with products for current dimensional data.

Electric wall ovens are not approved for installation with a plug and receptacle. They must be hard wired in accordance with installation instructions.

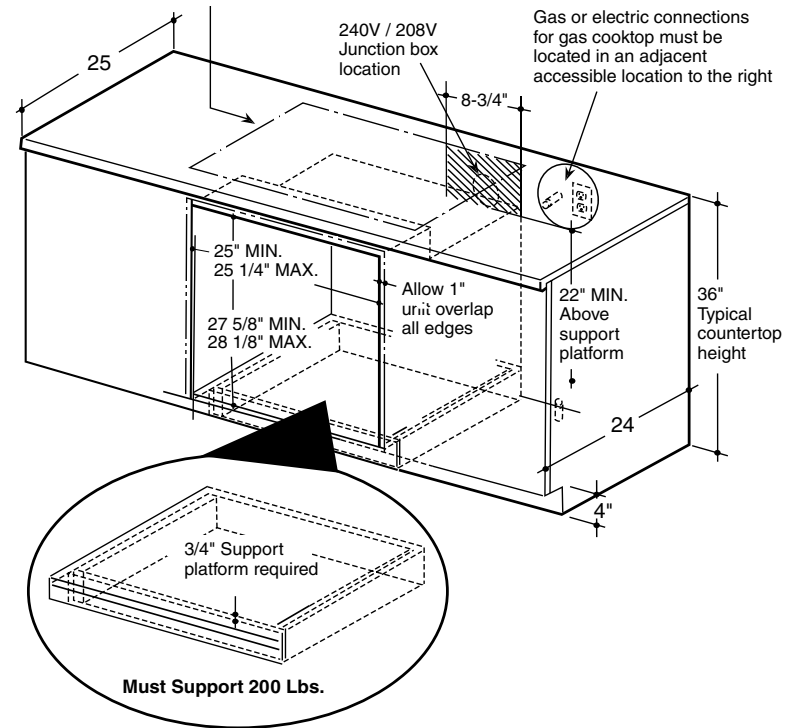
Note: Oven is rated for use only under GE 30" standard or sealed burner gas and selected GE 30" smoothtop and Calrod® electric cooktops.

Installation information: Before installing, consult installation instructions packed with product for current dimensional data.

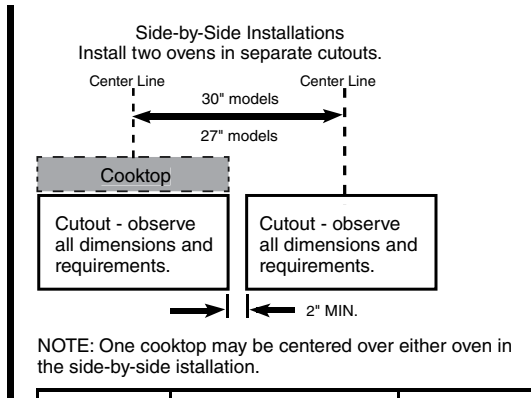
Side by Side single ovens



Gas or electric cooktops may be installed over this oven. See cooktop installation instructions for cutout size. See label on top of oven for approved cooktop models.



Side by Side single ovens under cooktop and counter



imagination at work

For answers to your Monogram® or GE appliance questions, visit our website at geappliances.com or call GE Answer Center® service, 800.626.2000.



*ADA qualified based on Uniform Federal Accessibility Standards



Listed by Underwriters Laboratories



Specification Revised 10/13

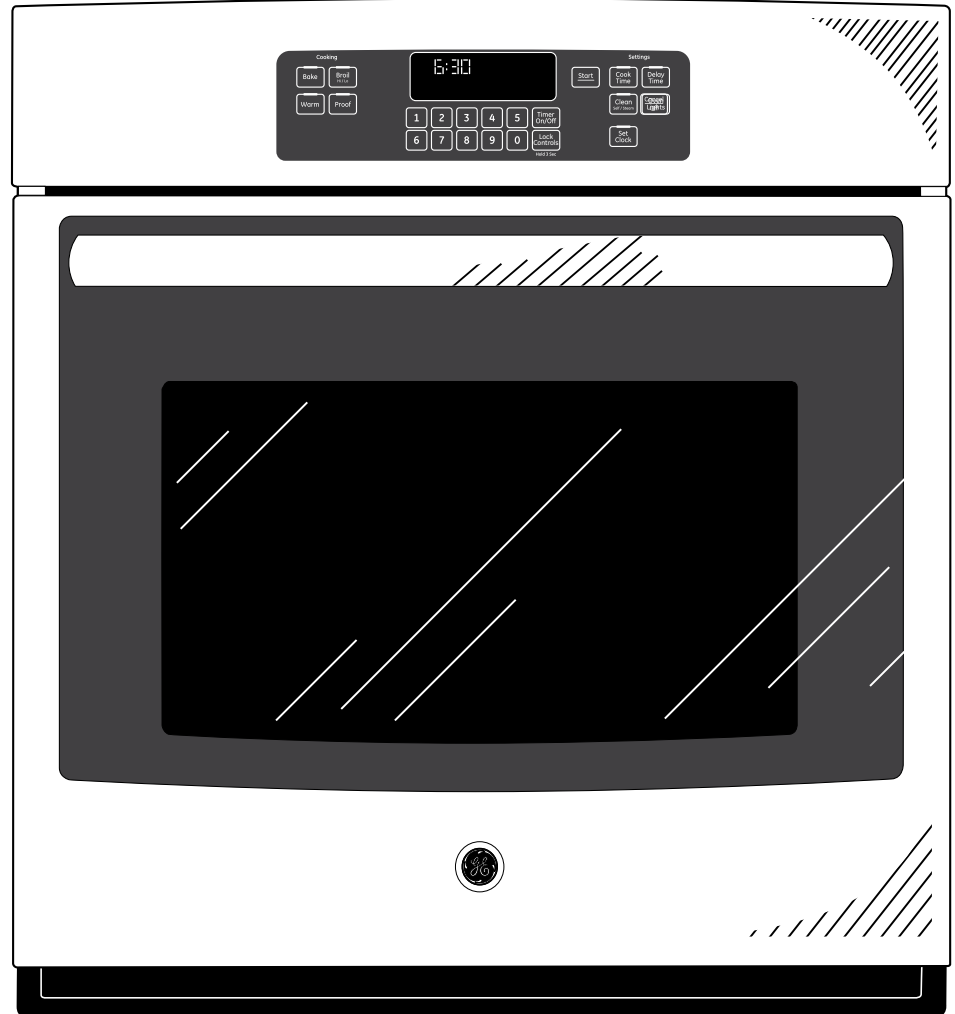
320449

JK3000SF

GE® 27" Built-In Single Wall Oven

Features and Benefits

- Self-Clean with Steam Clean Option - Clean your oven the way you want
- Self-Clean Heavy-Duty Oven Racks - Conveniently clean your oven and racks together
- Ten-Pass Bake Element - Even baking is assured with heat that covers more surface area
- Eight-Pass Broil Element - Get full broil coverage and even browning from edge to edge
- 4.3 cu. ft. Oven Capacity - Cook more dishes at once
- Black Gloss Oven Interior - Enjoy a clean and sleek appearance
- Electronic Touch Controls - Confidently operate the oven with one easy touch
- Hidden Bake - Make cleanup easy by eliminating hard-to-reach areas
- Audible Preheat Signal - Know when the oven is ready
- Certified Sabbath Mode - Prepare foods by kosher standards
- Model JK3000SFSS - Stainless steel



imagination at work