

GSD3300/3360V

GE® Built-In Dishwasher

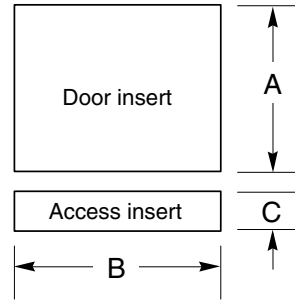
Dimensions and Installation Information (in inches)

Electrical Rating

| | |
|------------------------------------|-----|
| Voltage AC..... | 120 |
| Hertz..... | 60 |
| Total connected load amperage..... | 6.2 |
| Calrod® heater watts max..... | 500 |

For use on adequately wired 120-volt, 15-amp circuit having 2-wire service with a separate ground wire. This appliance must be grounded for safe operation.

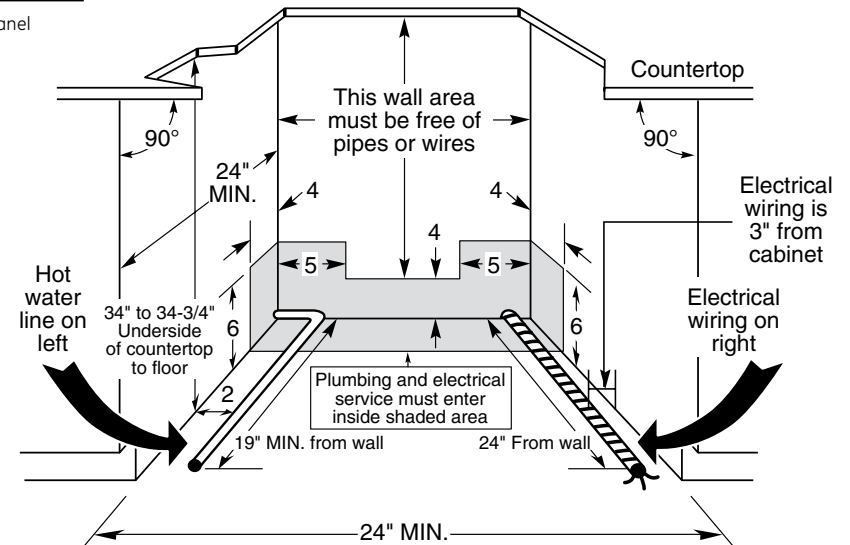
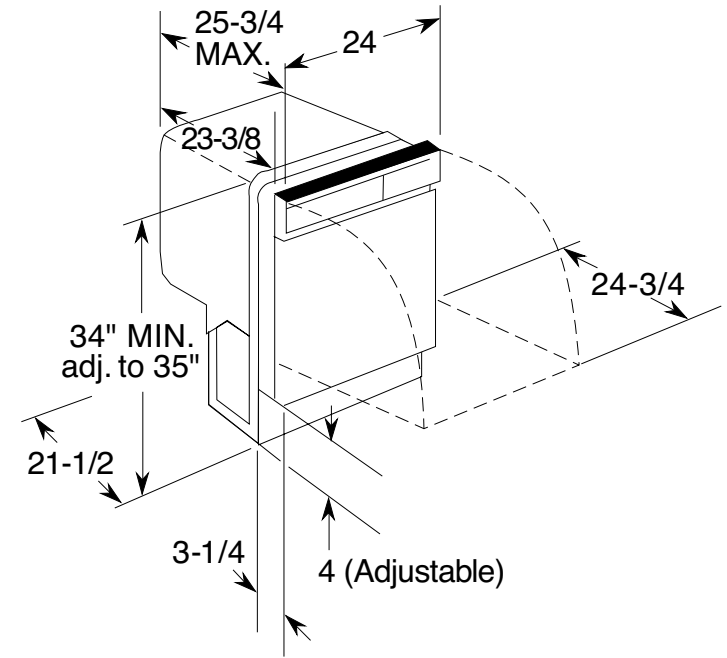
Note: Dishwasher must not be installed more than 10 feet from sink for proper drainage. All plumbing and electrical work must be in accordance with local codes.



| Kit | A | B | C | Panel Thickness |
|--------|-----------|----------|---------------------|-----------------|
| GPF325 | 18-7/8" | 23-9/16" | 3-11/16" | 1/4" |
| GPF375 | 18-15/16" | 23-5/8" | 4-1/4" to 3-3/4"*** | 3/4" |

* Bottom of panel must be notched 1-1/2" x 1/2" to clear across panel

** Adjustment required to match adjacent cabinet fronts due to leveling leg adjustment, 4" nominal



For answers to your Monogram®, GE Profile™ or GE® appliance questions, visit our website at geappliances.com or call GE Answer Center® service, 800.626.2000.

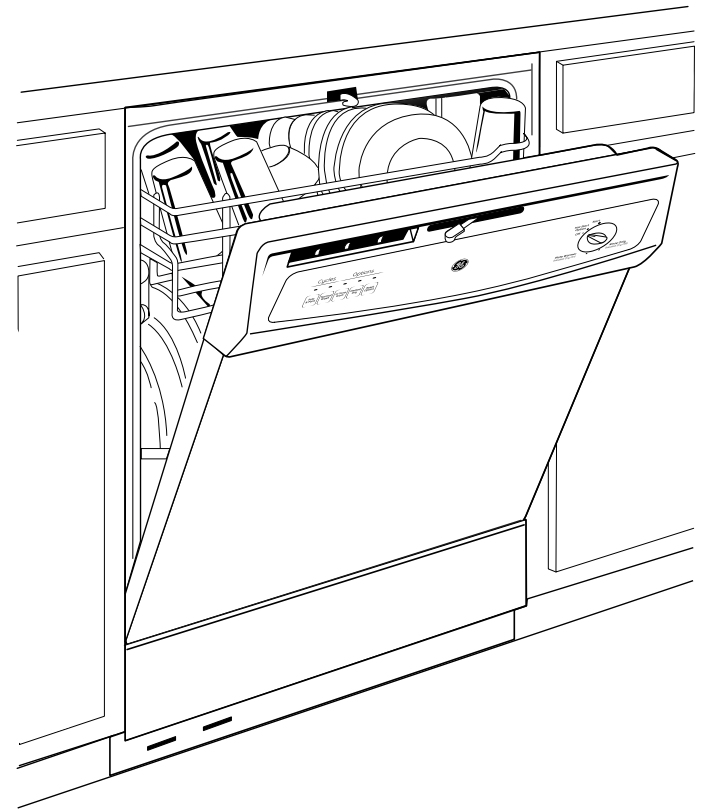


GSD3300/3360V

GE® Built-In Dishwasher

Features and Benefits

- 5-level PowerScrub™ wash system with PowerShower - Powerful wash cleans dishes thoroughly
- Two-stage filtration with ExtraFine™ filter - Extra filtration keeps water clean
- Piranha™ hard food disposer - Grinds food into small particles that are washed away
- HotStart™ option - Provides optimal water temperature for dependable performance
- 61 dBA - motor runs quietly to keep kitchen peaceful
- Insulation blanket - Adds improved sound performance
- Up to 12-place setting capacity racking - Provides flexibility to wash a variety of dishes at once
- Model GSD3300VWW - White on white
- Model GSD3300VCC - Bisque on bisque
- Model GSD3300VBB - Black on black
- Model GSD3360VSS - Stainless steel



imagination at work